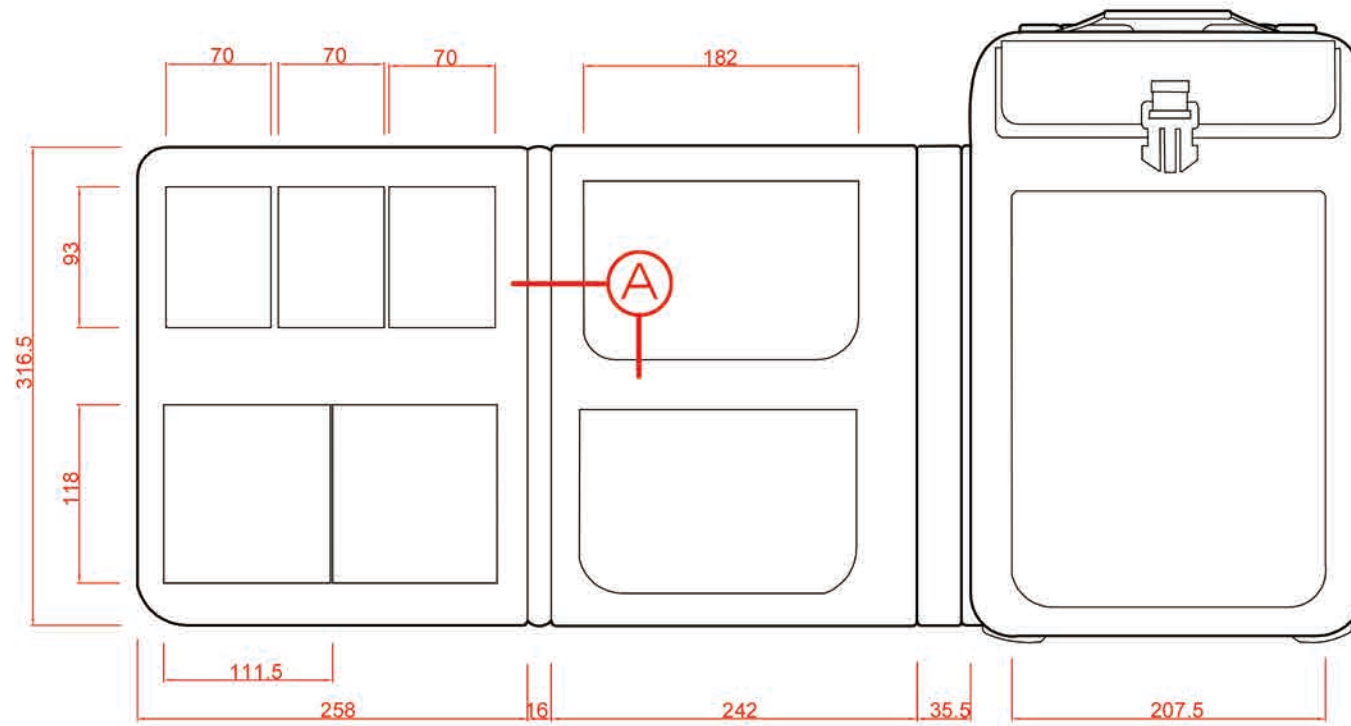
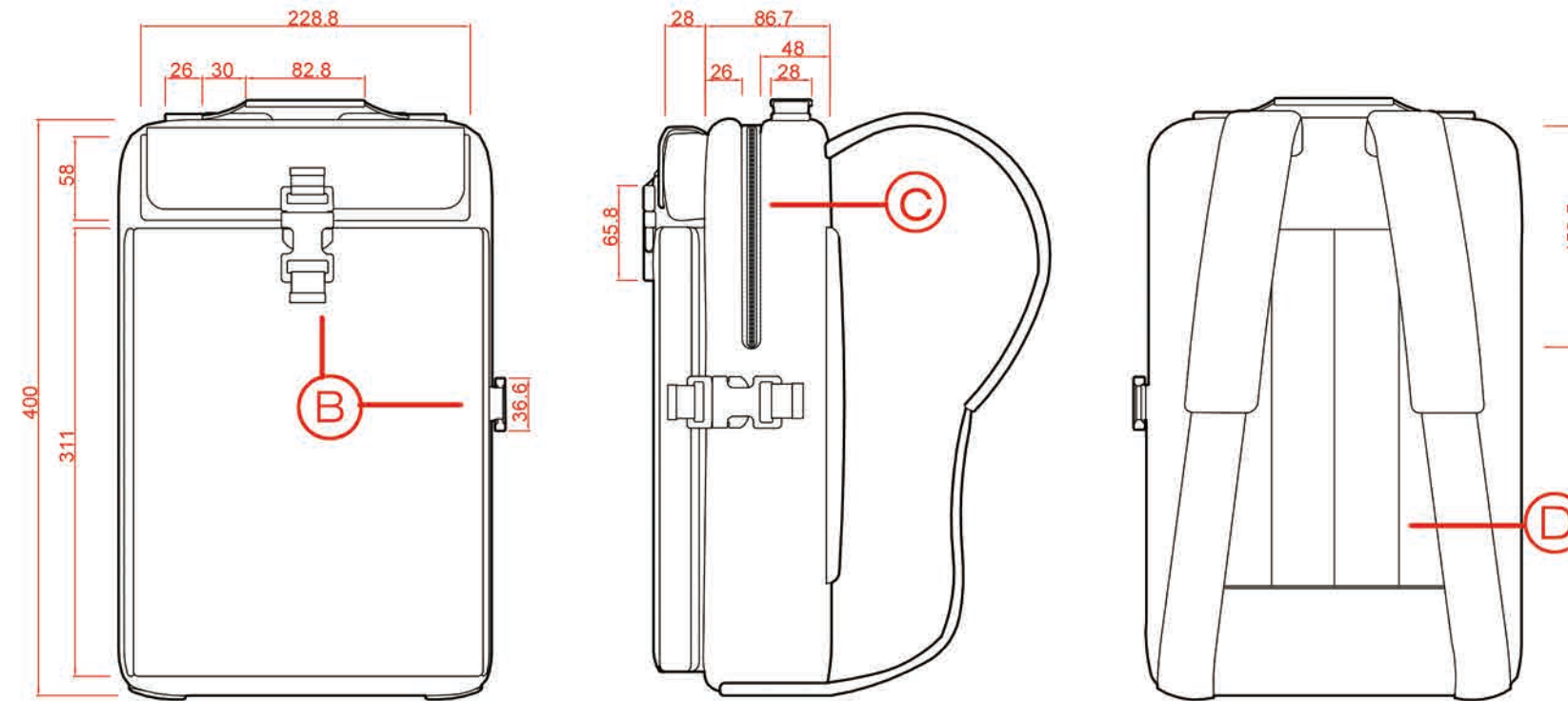


# A Mobile Workstation multifunctional bag



## Features

- A-Pockets
- B-Release buckle
- C-Zipper
- D-Memory foam cushions

## Material list

- Plastic Sheets (main structure)
- Man-made Leather (surface)
- Nylon (Interior Space)

A Mobile Workstation

Scale 1:5

Date 19/10/2014